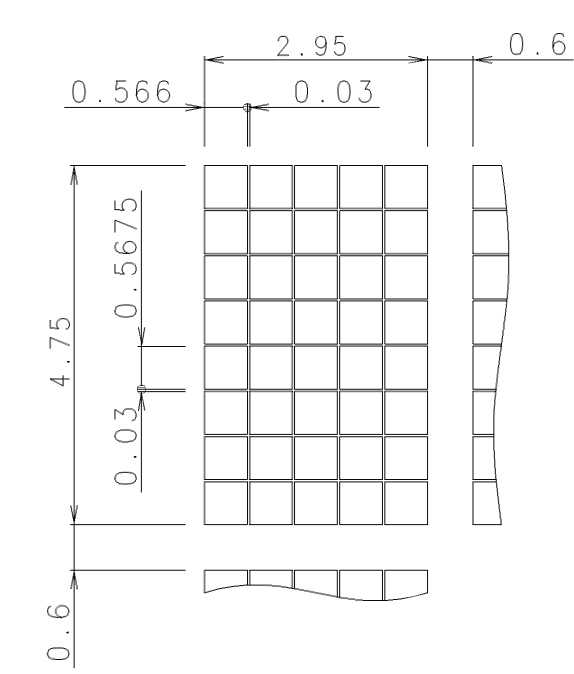
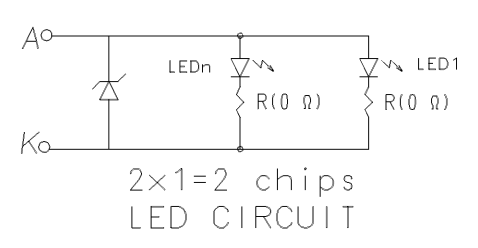
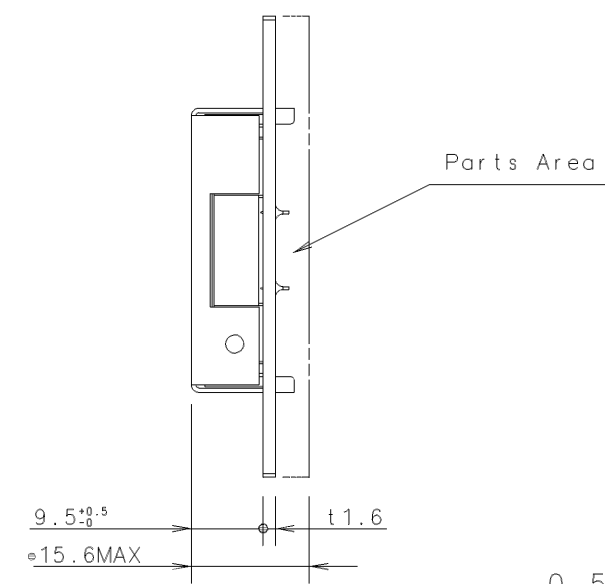
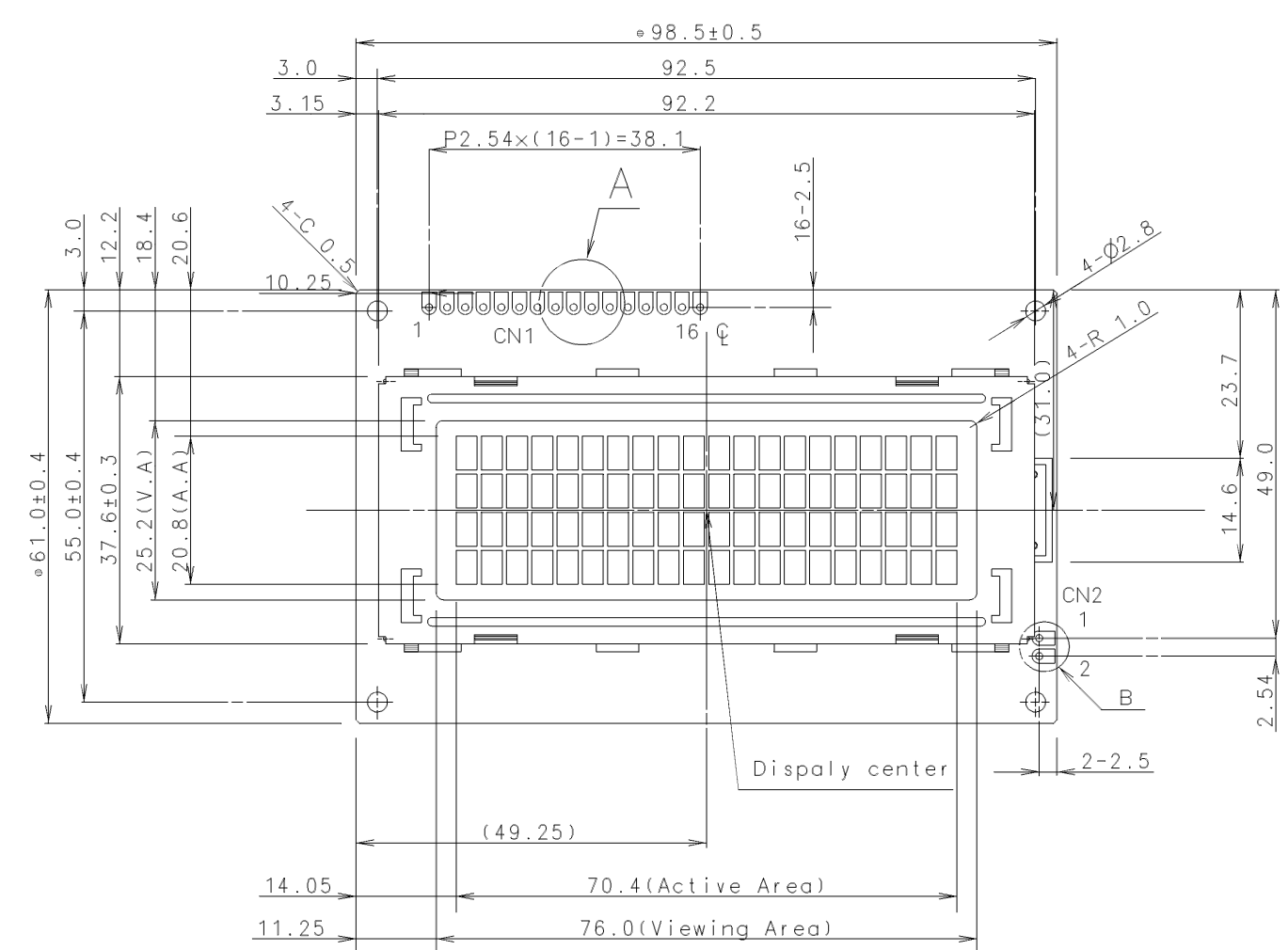


ISSUE	REVISIONS	DRAWN	APPROVED	DATE



No.	SYMBOL
1	VSS
2	VCC
3	VEE
4	RS
5	R/W
6	E
7	DB0
8	DB1
9	DB2
10	DB3
11	DB4
12	DB5
13	DB6
14	DB7
15	LED: ANODE
16	LED: CATHODE

1	LED: CATHODE
2	LED: ANODE



Notes:

- Do not use materials which are prohibited by ROHS.
- The dimensions with the mark (ϕ) are controlled as a particular characteristic.

TOLERANCE			THIRD ANGLE PROJECTION	DATE Feb.25'05	OPTREX CORPORATION
MEASURE	A	B			
L \leq 16	± 0.1	± 0.3	± 1	UNIT mm	TITLE DIMENSIONAL OUTLINE
16<L \leq 63	± 0.2	± 0.5	± 1.5	SCALE 1:1	CODE C-51847AA base
63<L \leq 250	± 0.3	± 0.8	± 2	CHECKED T.SUZUKI	DWG NO UE-312334
250<L \leq 500	± 0.5	± 1.2	± 3	DRAWN X.Hawk	
500<L	± 0.8	± 2	± 4		
ANGLE	$\pm 1^\circ$	$\pm 5^\circ$	$\pm 10^\circ$		